



PROJECT NAME: _____

LOCATION: _____

ITEM: _____ QTY: _____

MODEL: _____

SRPO-24E

COUNTER TOP ELECTRIC PIZZA OVEN

The Sierra Range SRPO-E pizza oven features a stainless steel frame (front, top, sides and control panel), and an easy to clean stainless steel interior with a porcelain coated deck and door liner.

The SRPO-E oven is designed and built with the superior performance of Meteorite™ ceramic decks that achieve maximum heat while using less energy and have a much quicker recovery times between uses. These refractory ceramic decks offer superior temperature uniformity and more consistent cooking times, especially during peak business hours.

The SRPO-E pizza oven has the flexibility to suit every operation. The temperature is adjustable from 280°F (140°C) to 650°F (360°C).



Designed for pizza, flat breads and bakery products baked directly on the hearth deck, screens, pans or baking sheets.

ADDITIONAL OPTIONS	EXTRA HEARTH DECKS
SRPO-24E	#108-HD24

STANDARD FEATURES

- 🔥 Non-ferrous stainless steel construction including front, top, sides and control panel.
- 🔥 Double wall construction with heavy insulation for efficiency & cooler exterior surfaces.
- 🔥 Fully insulated with 1-½ thick industrial grade insulation
- 🔥 Each oven comes with 2 Meteorite™ hearth decks with a 3-¼ deck height.
- 🔥 Cook directly on the deck or with pans or screens.
- 🔥 4" stainless steel adjustable legs included with every unit.
- 🔥 Inside oven door and floor coated with porcelain enamel.
- 🔥 15-minute timer with ring alarm and manual shut off.
- 🔥 Indicator light when elements are on.
- 🔥 4-ft power code with NEMA 6-20P



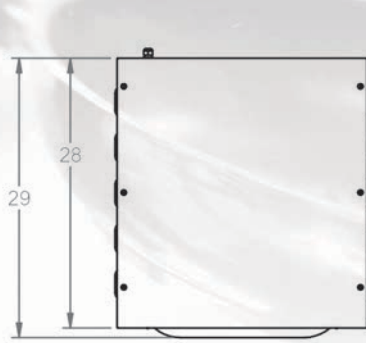
Tel.: 786.600.4687 / Toll Free: 844.218.8477
Fax: 786.661.4100



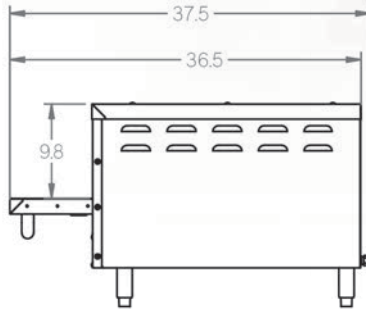
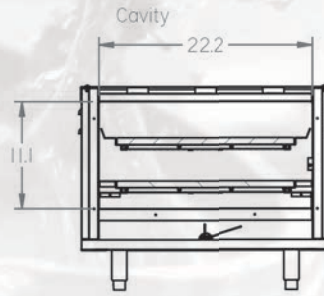
Tel.: 514.737.9701 / Toll Free: 888.275.4538
Fax: 514.342.3854 / Toll Free: 877.453.8832
sales@mvpgroupcorp.com



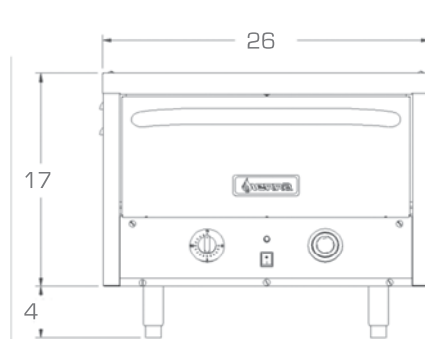
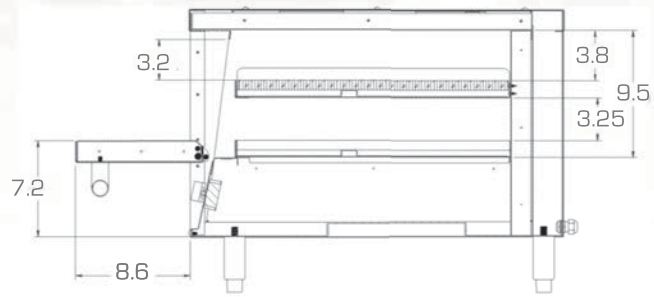
SRPO-24E



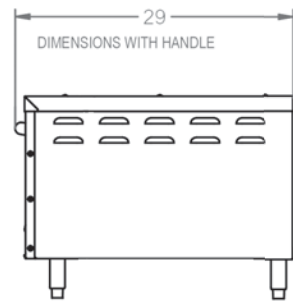
TOP VIEW



SIDE VIEW (OPEN DOOR)



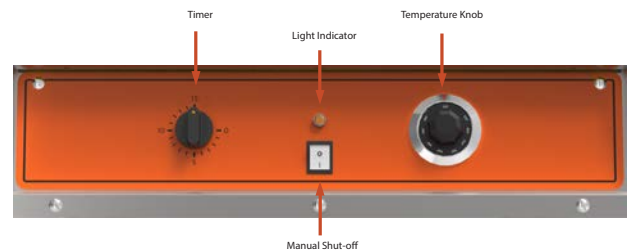
FRONT VIEW



DIMENSIONS WITH HANDLE

SPECIFICATIONS

MODEL NUMBER	EXTERNAL DIMENSIONS (WxDxH) 29.0" DEPTH INCLUDING THE HANDLE 36.5" DEPTH WITH OVEN DOOR OPEN	BAKING CHAMBER (WxDxH)	NUMBER OF HEATERS	VOLTAGE	WATTS	AMPS	NET WEIGHT	SHIPPING WEIGHT
SRPO-24E	26.0" x 27.9" x 21.0"	22.3" x 21" x 9.5"	2	220-240/1	3600	16.3	138 LBS	205 LBS



Warranty: 12 months parts & labor.
Plug: NEMA 6-20P
Shipping Dimensions: 28.75" x 34.25" x 24.25" (W x D x H)
Minimum Clearance: 3 inches sides, 3 inches rear
Deck Size: 20.1" x 20.1" (W x D)



SIERRA RANGE is a registered trademark of MVP Group.

Due to continuing product development, to ensure best possible performance, the specifications are subject to change without prior notice.

 Tel.: 786.600.4687 / Toll Free: 844.218.8477
 Fax: 786.661.4100

 Tel.: 514.737.9701 / Toll Free: 888.275.4538
 Fax: 514.342.3854 / Toll Free: 877.453.8832
 sales@mvpgroupcorp.com


 www.mvpgroupcorp.com