



## REACH-IN TOP-MOUNT SERIES - FREEZERS



Top mount series available by custom order only.  
Please contact our Sales Department for availability and lead time.

### Features

- CFC free refrigerant and foam insulation
- Electronic thermostat and digital LED temperature display for accurate control and easy reading
- 3 adjustable, heavy-duty epoxy coated wire shelves per door
- Condensate heating element built into condensate pan for efficient evaporation of excess water
- Easy to mount 4" casters (lockable in front) are standard with all units
- Freezer doors have integral factory installed heating element to eliminate condensation
- Locking doors on all units. KT28F door swing is field reversible.
- Self-closing doors that remain open at 90 degrees
- Magnetic gasket can be replaced without any tools
- Exterior: 430 stainless steel, door & front panel: 202 stainless steel.
- Interior: 304 stainless steel
- Temperature: 0 to -10°F / -17 to -23°C
- Electrical: 115/60/1 with NEMA 5-15P plug
- KT82F DV: 115/208-230/60/1 with NEMA L14-20P plug

### Specifications

MODEL	DOORS	EXT DIMENSIONS W x D x H	INT. DIMENSIONS W x D x H	AMPS	H.P.	SHIP WEIGHT
KT28F	1	26.8 x 32.7 x 82.3	22.2 x 27.6 x 59.1	11	5/8	329 lbs
KT56F*	2	53.9 x 32.7 x 82.3	49.4 x 27.6 x 59.1	12	1	501 lbs
KT82F DV	3	81.0 x 32.7 x 82.3	76.4 x 27.6 x 59.1	8	1-1/4	625 lbs



CERTIFIED TO ANSI/NSF-7 STANDARDS

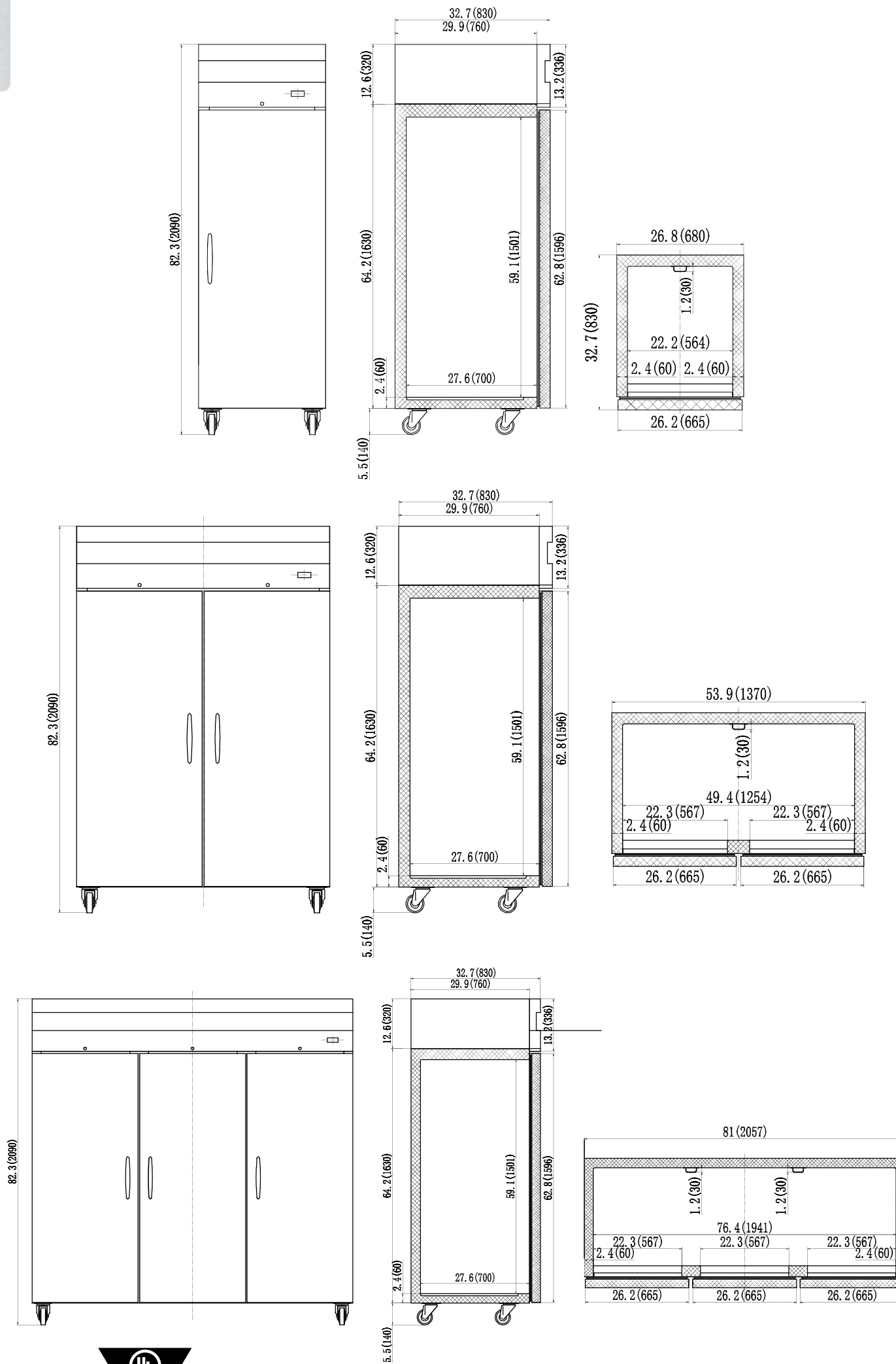


5659 Royalmount Ave.  
Montreal, QC, Canada H4P 2P9  
Telephone: 514.737.9701 / Toll Free: 888.275.4538  
Fax: 514.342.3854 / Toll Free: 877.453.8832  
sales@mvpgroupcorp.com / mvpgroupcorp.com

12000 Biscayne Blvd., Suite # 108  
Miami, FL, United States 33181  
Telephone: 786.600.4687 / Toll Free: 844.218.8477  
Fax: 786.661.4100



## REACH-IN TOP-MOUNT SERIES - FREEZERS



CERTIFIED TO ANSI/NSF-7 STANDARDS



5659 Royalmount Ave.  
 Montreal, QC, Canada H4P 2P9  
 Telephone: 514.737.9701 / Toll Free: 888.275.4538  
 Fax: 514.342.3854 / Toll Free: 877.453.8832  
 sales@mvpgroupcorp.com / mvpgroupcorp.com

12000 Biscayne Blvd., Suite # 108  
 Miami, FL, United States 33181  
 Telephone: 786.600.4687 / Toll Free: 844.218.8477  
 Fax: 786.661.4100