



Electrolux

Vegetable Slicer TRK70 Cutter Slicer - 7 QT - Variable Speed

ITEM # _____
 MODEL # _____
 NAME # _____
 SIS # _____
 AIA # _____



Electrolux



600495 (TRK70YU)

Vegetable Cutter/Mixer, angled front, continuous feed design, variable speed (300-3700 RPM), large single feed hopper, includes 7.4 qt stainless steel bowl, lid, bowl scraper, microtooth blade rotor, handle pusher, standard ejector, stainless steel feeding arm & hopper, aluminum motor housing, 1-1/3 HP, NEMA 5-20P, (discs NOT included)

Short Form Specification

Item No. _____

Vegetable Cutter/Mixer, angled front, continuous feed design, variable speed (300-3700 RPM), large single feed hopper, includes 7.4 qt stainless steel bowl, lid, bowl scraper, microtooth blade rotor, handle pusher, standard ejector, stainless steel feeding arm & hopper, aluminum motor housing, 1-1/3 HP, NEMA 5-20P, (discs NOT included)

Main Features

- 3 in 1 machine: cutter, emulsifier and vegetable slicer to slice, grate, liquidise, mix and mince in a matter of seconds.
- Incl system to incline motor base at 20° to better fit the vegetable slicer attachment.
- Vegetable slicer unit has slicing, grating, shredding (julienne) as well as dicing and french fries capabilities.
- Long vegetables round hopper integrated in the feed arm, 3/4 moon roundish hopper to limit pre-cutting operations.
- Emulsifier function (scraper) included as standard.
- Base fixed cover for a better handling.
- Pulse function to coarse chopping.
- All parts in contact with food are removable without the use of tools, completely dismountable and dishwasher safe.
- Automatic restart of the machine with the 3/4 moon shaped pusher in position.
- Magnetic safety system and motor brake. Prevents machine from running when vegetable preparation lever and/or hopper are lifted or when cutter lid is not properly closed.
- Automatic speed limitation according to the selected function (slicer or cutter).
- Complete and wide selection of blades and grids available, Diameter of blades and grids are 8" (205mm).
- Delivered with: 7.4qt (7lt) stainless steel cutter bowl, transparent lid, scraper and microtoothed blade rotor.
- Available upon request:
 - Automatic cylindrical hopper (dia=280 mm), long vegetable hopper (3 tubes) and cabbage hopper.

Construction

- Stainless steel bowl has a high chimney to ensure high productivity also when processing liquids (75% of the nominal capacity).
- Food processing at 10 variable speeds: 300-3700 rpm.
- Power: TRK70 - 1.3 HP.
- Compact and portable design.
- Improved ventilation system to manage smoothly heavy duty use.
- Improved incl system for better stability.
- Improved fixing of long vegetable hopper pusher.
- TRK70 - 1.5 kW.

Included Accessories

- 1 of Lid & bowl scraper, 7.4 quart, for cutter/mixer PNC 650104
- 1 of Microtooth blade rotor for 7.4 quart cutter/mixer PNC 653584
- 1 of Bowl, 7.4 quart, for cutter/mixer, stainless steel PNC 653593
- 1 of TRS & TRK ejector plate PNC 653772

Optional Accessories



APPROVAL: _____

TRK70 Cutter Slicer - 7 QT - Variable Speed
Vegetable Slicer



Electrolux

**Vegetable Slicer
TRK70 Cutter Slicer - 7 QT -
Variable Speed**

- Microtooth blade rotor for 7.4 quart cutter/ PNC 650041
mixer for emulsions
- Julienne Disc 5/32" (4mm) PNC 650077
- Julienne Disc 1/4" (6mm) PNC 650078
- Julienne Disc 5/16" (8mm) PNC 650079
- Julienne Disc 3/8" (10mm) PNC 650080
- Slicing Disc 0.6mm (can be combined with PNC 650081
Dicing Grids (MT) and Grids for Chips (FT))
- Slicing Disc 1/32" (1mm) (can be combined PNC 650082
with Dicing Grids (MT) and Grids for Chips (FT))
- Slicing Disc 5/64" (2mm) (can be PNC 650083
combined with Dicing Grids (MT) and
Grids for Chips (FT))
- Slicing Disc 1/8" (3mm) (can be combined PNC 650084
with Dicing Grids (MT) and Grids for Chips
(FT))
- Slicing Disc 5/32" (4mm) (can be PNC 650085
combined with Dicing Grids (MT) and
Grids for Chips (FT))
- Slicing Disc 3/16" (5mm) (can be PNC 650086
combined with Dicing Grids (MT) and
Grids for Chips (FT))
- Slicing Disc 1/4" (6mm) (can be combined PNC 650087
with Dicing Grids (MT) and Grids for Chips
(FT))
- Slicing Disc 5/16" (8mm) (can be PNC 650088
combined with Dicing Grids (MT) and
Grids for Chips (FT))
- Wavy Slicing Disc 5/64" (2mm) (can be PNC 650089
combined with Dicing Grids (MT) and
Grids for Chips (FT))
- Wavy Slicing Disc 1/8" (3mm) (can be PNC 650090
combined with Dicing Grids (MT) and
Grids for Chips (FT))
- Wavy Slicing Disc 1/4" (6mm) (can be PNC 650091
combined with Dicing Grids (MT) and
Grids for Chips (FT))
- Bistrot Pack, Stainless Steel Disc Set PNC 650092
containing one each of: C2S 5/64" (2mm)
slicing disc, C5S 3/16" (5mm) slicing disc,
J2X 5/64" (2mm) grating disc
- Gastronomy Pack, Stainless Steel Disc Set PNC 650093
containing one each of: C2S 5/64" (2mm)
slicing disc, C5S 3/16" (5mm) slicing disc,
J2X 5/64" (2mm) grating disc, AS4X 5/32"
x5/32" (4x4mm) shredding disc, C10PS
3/8" (10mm) presser/slicer, MT10T 3/8"x3/8"
(10x10mm) dicing grid
- Lid & bowl scraper, 7.4 quart, for cutter/ PNC 650104
mixer
- Julienne Disc 5/64" x 5/16" (2 x 8mm) PNC 650158
- Julienne Disc 5/64" x 3/8" (2 x 10mm) PNC 650159
- Slicing Disc 3/8" (10mm) (can be PNC 650160
combined with Dicing Grids (MT) and
Grids for Chips (FT))
- Slicing Disc 15/32" (12mm) (can be PNC 650161
combined with Dicing Grids (MT) and
Grids for Chips (FT))
- Wavy Slicing Disc 5/16" (8mm) (can be PNC 650162
combined with Dicing Grids (MT) and
Grids for Chips (FT))
- Wavy Slicing Disc 3/8" (10mm) (can be PNC 650164
combined with Dicing Grids (MT) and
Grids for Chips (FT))
- Slicing Disc 33/64" (13mm) (can be PNC 650165
combined with Dicing Grids (MT) and
Grids for Chips (FT))
- Julienne Disc 5/64" (2mm) PNC 650166
- Julienne Disc 1/8" (3mm) PNC 650167
- Set of 4 Stainless Steel Discs containing PNC 650178
one each of: C2S 5/64" (2mm) slicing disc,
C5S 3/16" (5mm) slicing disc, J2X 5/64
" (2mm) grating disc and J7X 9/32" (7mm)
grating disc
- Set of 7 Stainless Steel Discs containing PNC 650179
one each of: C2S 5/64" (2mm) slicing disc,
C5S 3/16" (5mm) slicing disc, J2X 5/64
" (2mm), J7X 9/32" (7mm) grating disc,
AS4X 5/32"x5/32" (4x4mm) shredding
disc, C10PSB 3/8" (10mm) presser/slicer,
MT10T 3/8"x3/8" (10x10mm) dicing grid
- Stainless steel work table assembly. PNC 653283
- Dicing Grid 3/16" x 3/16" (5 x 5mm) (can PNC 653566
be combined with Slicing Discs [C] and
Wavy Slicing Discs (CW))
- Dicing Grid 5/16" x 5/16" (8 x 8mm) (can PNC 653567
be combined with Slicing Discs [C] and
Wavy Slicing Discs (CW))
- Dicing Grid 3/8" x 3/8" (10 x 10mm) (can PNC 653568
be combined with Slicing Discs [C] and
Wavy Slicing Discs (CW))
- Dicing Grid 15/32" x 15/32" (12 x 12mm) PNC 653569
(can be combined with Slicing Discs [C]
and Wavy Slicing Discs (CW))
- Dicing Grid 25/32" x 25/32" (20 x 20mm) PNC 653570
(can be combined with Slicing Discs [C]
and Wavy Slicing Discs (CW))
- Grid for Chips 1/4" (6mm) (can be PNC 653571
combined with Slicing Discs [C] and Wavy
Slicing Discs (CW))
- Grid for Chips 5/16" (8mm) (can be PNC 653572
combined with Slicing Discs [C] and Wavy
Slicing Discs (CW))
- Grid for Chips 3/8" (10mm) (can be PNC 653573
combined with Slicing Discs [C] and Wavy
Slicing Discs (CW))
- Smooth blade rotor for 7.4 quart cutter/ PNC 653583
mixer
- Microtooth blade rotor for 7.4 quart cutter/ PNC 653584
mixer
- Bowl, 7.4 quart, for cutter/mixer, stainless PNC 653593
steel
- Smooth blade rotor for 7.4 quart cutter/ PNC 653712
mixer for emulsions
- TRS & TRK ejector plate PNC 653772
- Grating Disc 5/64" (2mm) PNC 653773
- Grating Disc 1/8" (3mm) PNC 653774
- Grating Disc 5/32" (4mm) PNC 653775
- Grating Disc 9/32" (7mm) PNC 653776
- Grating Disc 11/32" (9mm) PNC 653777
- Grating Disc for breadcrumbs/potatoes PNC 653778



Electrolux

**Vegetable Slicer
TRK70 Cutter Slicer - 7 QT -
Variable Speed**

- Grating Disc for parmesan/chocolate

PNC 653779

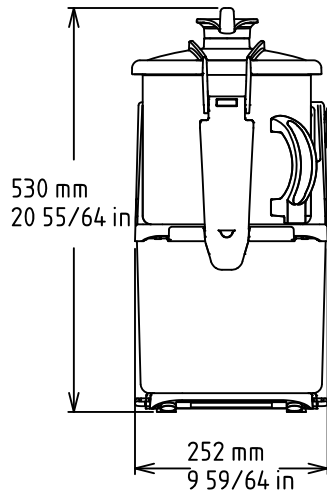




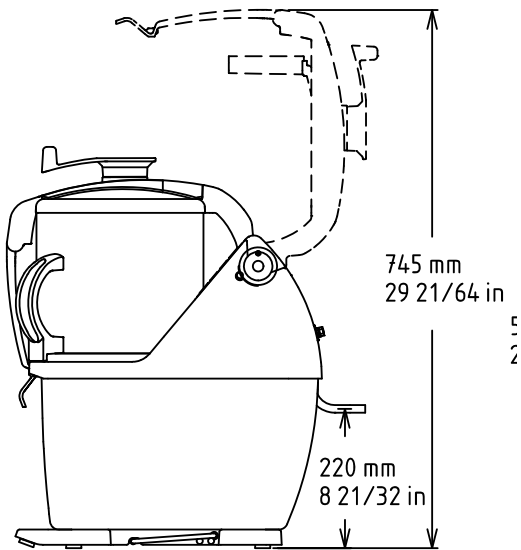
Electrolux

**Vegetable Slicer
TRK70 Cutter Slicer - 7 QT -
Variable Speed**

Front

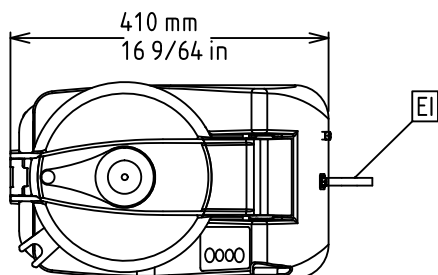


Side



EI = Electrical connection

Top



Electric

Supply voltage:

600495 (TRK70YU)

110-120 V/1N ph/60 Hz

Total Watts:

1.5 kW

Plug type:

USA NEMA 5-15P

Key Information:

External dimensions, Width: 9 15/16" (252 mm)

External dimensions, Depth: 19 1/16" (485 mm)

External dimensions, Height: 19 7/8" (505 mm)

Shipping width: 12 13/16" (325 mm)

Shipping depth: 32 1/16" (815 mm)

Shipping height: 23 5/8" (600 mm)

Shipping weight: 73 lbs (33 kg)



Electrolux

**Vegetable Slicer
TRK70 Cutter Slicer - 7 QT -
Variable Speed**

**Vegetable Slicer
TRK70 Cutter Slicer - 7 QT - Variable Speed**

The company reserves the right to make modifications to the products
without prior notice. All information correct at time of printing.

2018.09.14