



Electrolux

Vegetable Slicer TRK55 Cutter Slicer - 5.5 QT - Variable Speed

ITEM # _____
 MODEL # _____
 NAME # _____
 SIS # _____
 AIA # _____



Electrolux

TRK55 Cutter Slicer - 5.5 QT - Variable Speed



600494 (TRK55YU)

Vegetable Cutter/Mixer, angled front, continuous feed design, variable speed (300-3700 RPM), large 3/4 moon hopper, includes 5.8 qt. stainless steel bowl, lid, bowl scraper, microtooth blade rotor, handle pusher, standard ejector, stainless steel feeding arm & hopper, aluminum motor housing, 1-1/3 HP, NEMA 5-20P, (discs NOT included)

Short Form Specification

Item No. _____

Vegetable Cutter/Mixer, angled front, continuous feed design, variable speed (300-3700 RPM), large 3/4 moon hopper, includes 5.8 qt. stainless steel bowl, lid, bowl scraper, microtooth blade rotor, handle pusher, standard ejector, stainless steel feeding arm & hopper, aluminum motor housing, 1-1/3 HP, NEMA 5-20P, (discs NOT included)

Main Features

- 3 in 1 machine: cutter, emulsifier and vegetable slicer to slice, grate, liquidise, mix and mince in a matter of seconds.
- Incl system to incline motor base at 20° to better fit the vegetable slicer attachment.
- Vegetable slicer unit has slicing, grating, shredding (julienne) as well as dicing and french fries capabilities.
- Long vegetables round hopper integrated in the feed arm, 3/4 moon roundish hopper to limit pre-cutting operations.
- Emulsifier function (scraper) included as standard.
- Base fixed cover for a better handling.
- Pulse function to coarse chopping.
- All parts in contact with food are removable without the use of tools, completely dismountable and dishwasher safe.
- Automatic restart of the machine with the 3/4 moon shaped pusher in position.
- Magnetic safety system and motor brake. Prevents machine from running when vegetable preparation lever and/or hopper are lifted or when cutter lid is not properly closed.
- Automatic speed limitation according to the selected function (slicer or cutter).
- Complete and wide selection of blades and grids available, Diameter of blades and grids are 8" (205mm).
- Delivered with: 5.8qt (5,5lt) stainless steel cutter bowl, transparent lid, scraper and microtoothed blade rotor.
- Available upon request:
 - Automatic cylindrical hopper (dia=280 mm), long vegetable hopper (3 tubes) and cabbage hopper.

Construction

- Stainless steel bowl has a high chimney to ensure high productivity also when processing liquids (75% of the nominal capacity).
- Food processing at 10 variable speeds: 300-3700 rpm.
- Power: TRK55 - 1.3 HP.
- Compact and portable design.
- Improved ventilation system to manage smoothly heavy duty use.
- Improved incl system for better stability.
- Improved fixing of long vegetable hopper pusher.
- TRK55 - 1 kW.



APPROVAL: _____

Electrolux Professional, Inc.

www.electroluxusa.com/professional

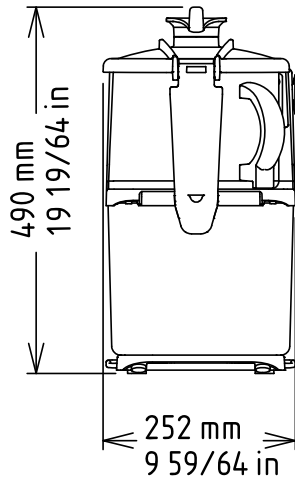
10200 David Taylor Drive, Charlotte, NC 28262 • Telephone Number: 866-449-4200 • Fax Number: 704-547-7401



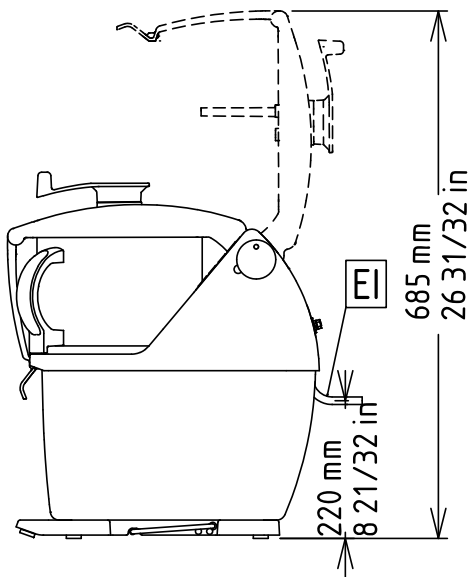
Electrolux

**Vegetable Slicer
TRK55 Cutter Slicer - 5.5 QT -
Variable Speed**

Front

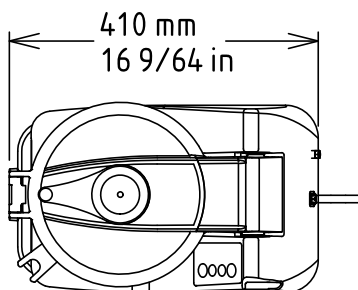


Side



EI = Electrical connection

Top



Electric

Supply voltage:

600494 (TRK55YU)

110-120 V/1N ph/60 Hz

Total Watts:

1.3 kW

Plug type:

USA NEMA 5-15P

Key Information:

External dimensions, Width: 9 15/16" (252 mm)

External dimensions, Depth: 19 1/16" (485 mm)

External dimensions, Height: 19 7/8" (505 mm)

Shipping width: 12 13/16" (325 mm)

Shipping depth: 32 1/16" (815 mm)

Shipping height: 23 5/8" (600 mm)

Shipping weight: 72 lbs (32.5 kg)



Electrolux

**Vegetable Slicer
TRK55 Cutter Slicer - 5.5 QT -
Variable Speed**

**Vegetable Slicer
TRK55 Cutter Slicer - 5.5 QT - Variable Speed**

The company reserves the right to make modifications to the products
without prior notice. All information correct at time of printing.

2018.09.14