



PROJECT NAME: \_\_\_\_\_

LOCATION: \_\_\_\_\_

ITEM: \_\_\_\_\_ QTY: \_\_\_\_\_

MODEL: \_\_\_\_\_

# SRBQ SERIES

## FULL STAINLESS STEEL OUTDOOR GAS GRILLS

Our Sierra outdoor grills are manufactured to provide the chef with superior performance and reliability; and have the cooking power that a commercial environment is accustomed to. Body, base, burners and roll covers constructed entirely of stainless steel for longevity and utmost durability. The stainless steel burners are all 15,000 BTU's each which will guarantee perfect broiling results time and time again. *Cook with Style, Cook with Sierra.*



SRBQ-30

SRBQ-60

## STANDARD FEATURES

- 🔥 Solid Stainless Steel body, hood, base & legs.
- 🔥 Four (SRBQ-30) or eight burner (SRBQ-60) model.
- 🔥 16 gauge stainless steel radiants.
- 🔥 Easy to clean 6mm cooking grids.
- 🔥 Side shelf for convenience.
- 🔥 Two stage regulator and hose on all models.
- 🔥 Drip pan and rack carriage assembly are easily removed for cleaning.
- 🔥 Two 14" wheels for easy mobility.
- 🔥 Two lockable casters for secure positioning.
- 🔥 The SRBQ is shipped from the factory, ready for LP installation.
- 🔥 ETL approved & listed.



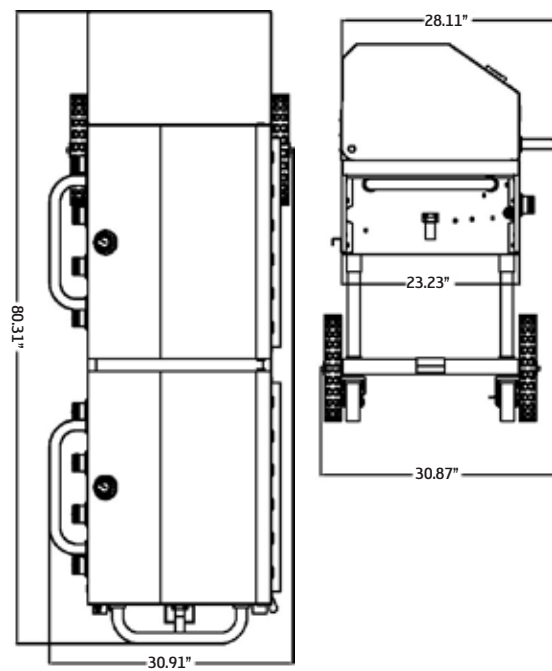
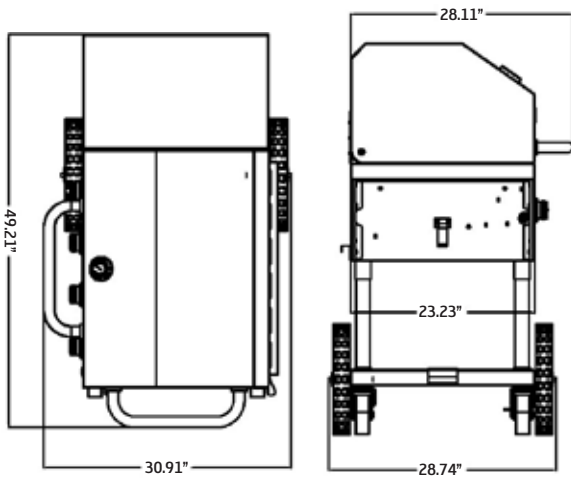
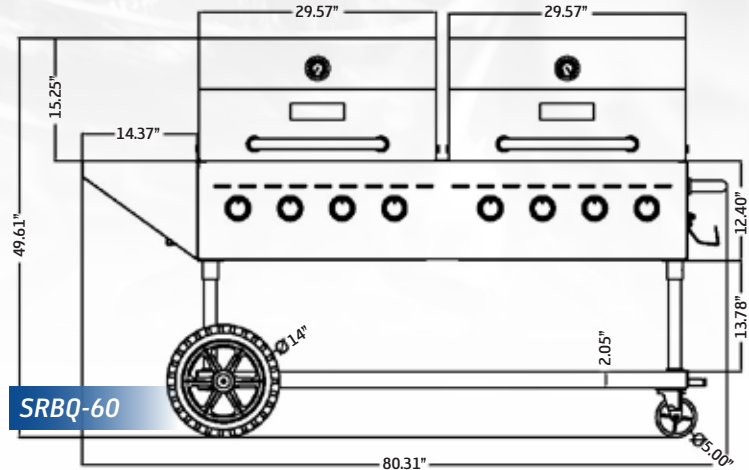
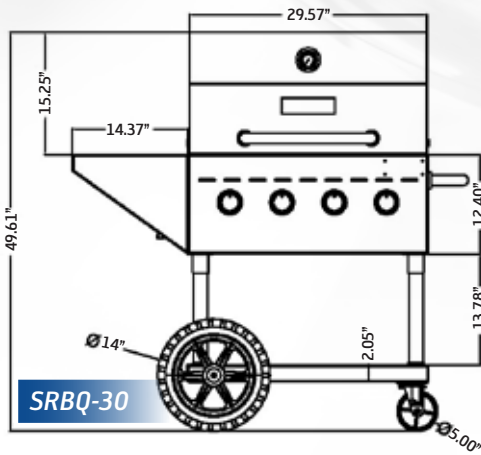
Tel.: 786.600.4687 / Toll Free: 844.218.8477  
Fax: 786.661.4100



Tel.: 514.737.9701 / Toll Free: 888.275.4538  
Fax: 514.342.3854 / Toll Free: 877.453.8832  
sales@mvpgroupcorp.com

**MVP**  
GROUP  
www.mvpgroupcorp.com





## SPECIFICATIONS

MODEL NUMBER	EXTERNAL DIMENSIONS (W/HANDLE) (WxDxH)	COOKING AREA (WxDxH)	NUMBER OF BURNERS	TOTAL BTU	NET WEIGHT	SHIPPING WEIGHT
SRBQ-30	49.21" X 30.91" X 49.61" (1250 X 785 X 1260 MM)	27.8" X 21.3" (705 X 540 MM)	4 STAINLESS STEEL TUBE BURNERS	60,000	193.5 LBS	216 LBS
SRBQ-60	80.31" X 30.91" X 49.61" (2040 X 785 X 1260 MM)	(2 X) 27.8" X 21.3" (705 X 540 MM)	8 STAINLESS STEEL TUBE BURNERS	120,000	338 LBS	368 LBS



**Warranty:** 12 months parts & labor.

**Gas Connection:** Q.C.C.1 Type 1 connector and hose supplied with unit (2 with the SRBQ-60). **Gas pressure:** 10" W.C. - Propane

**Combustible Clearances:** For use in non-combustible locations | Non-combustible Clearances: 0 inches sides, 0 inches rear

**SIERRA RANGE** is a registered trademark of **MVP Group**.

Due to continuing product development, to ensure best possible performance, the specifications are subject to change without prior notice.



Tel.: 786.600.4687 / Toll Free: 844.218.8477  
Fax: 786.661.4100



Tel.: 514.737.9701 / Toll Free: 888.275.4538  
Fax: 514.342.3854 / Toll Free: 877.453.8832  
sales@mvpgroupcorp.com