



Vegetable Slicer TRS Classic - Vegetable Cutter, single speed, 750 W (1HP)

ITEM # _____
 MODEL # _____
 NAME # _____
 SIS # _____
 AIA # _____



Vegetable Slicer

TRS Classic - Vegetable Cutter, single speed, 750 W (1HP)

600398 (TR24DU)

TRS Classic - Vegetable Slicer, single speed, 750 W (1HP) (discs not included)

Short Form Specification

Item No.

TRS Classic - Vegetable Slicer, single speed, 750 W (1HP)(discs not included).

Universal vegetable preparation machine for more than 80 different types of cuts. Stainless steel motor casing. Removable cover and feed arm in polished cast aluminium with incorporated magnetic safety device which only allows the cutter to operate if the hopper is closed. No volt release system. Self braking motor.

WARRANTY: 1 year Parts & 1 year Labor

Main Features

- Suitable for 100-300 meals for table service and up to 600 meals for catering service.
- Vegetable slicer unit has slicing, grating, shredding (julienne) as well as dicing and french fries capabilities.
- Delivered with: polished cast aluminium vegetable preparation attachment with a lever-integrated long vegetable hopper 2" diameter (52mm) and a large half moon hopper 6" x3" (154x77mm).
- Ergonomically design to work frontally and to reduce the working space around the machine.
- Hopper easily removed for cleaning.
- Base inclined at 20° to provide easy loading and unloading.
- Complete and wide selection of blades and grids available, Diameter of blades and grids are 8" (205mm).
- Magnetic safety system and motor brake. Prevents machine from running when lever swings away or is open.
- Automatic restart of the machine with the half-moon shaped lever in position.
- Continuous feed model.

Construction

- Power: 750 watts (1 HP).
- Compact and portable design.
- Asynchronous industrial motor with no brushes for high reliability and quiet functioning, stainless steel motor shaft.
- IP55 waterproof ON/OFF buttons, IP24 throughout the entire machine.
- 1 speed: 400 rpm - for precise cutting, slicing and dicing.

Optional Accessories

- Stainless steel work table assembly. PNC 653283
- MT05T - DICING GRID 3/16" PNC 653566
- MT08T - DICING GRID 5/16" PNC 653567
- MT10T - DICING GRID 3/8" PNC 653568
- MT12T - DICING GRID 1/2" PNC 653569
- MT20T - DICING GRID 3/4" PNC 653570
- FT06 - GRID FOR FRENCH FRIES 1/4" PNC 653571
- FT08 - GRID FOR FRENCH FRIES 5/16" PNC 653572
- FT10 - GRID FOR FRENCH FRIES 3/8" PNC 653573
- TRS Classic Grating Blade, stainless steel, 1/16" fine (2mm) PNC 653773
- TRS Classic Grating Blade, stainless steel, 1/8" fine (3mm) PNC 653774
- TRS Classic Grating Blade, stainless steel, 5/32" (4mm) PNC 653775
- TRS Classic Grating Blade, stainless steel, 9/32" (7mm) PNC 653776
- TRS Classic Grating Blade, stainless steel, 23/64" (9mm) PNC 653777



APPROVAL: _____



TRS Classic - Vegetable Cutter, single speed, 750 W (1HP) Vegetable Slicer



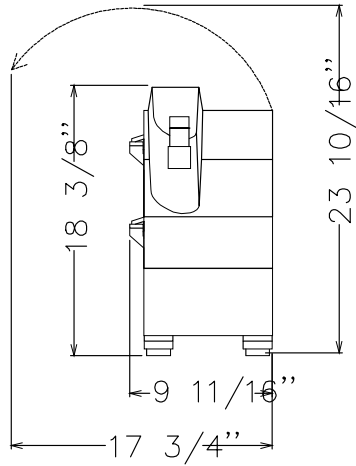
Vegetable Slicer TRS Classic - Vegetable Cutter, single speed, 750 W (1HP)

- TRS Classic Grating Blade, designed for nuts, chocolate & bread crumbs, stainless steel PNC 653778
- TRS Classic Grating Blade, especially fine grating for Parmesan cheese, stainless steel PNC 653779

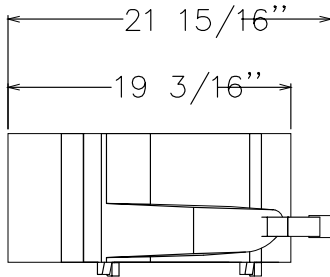


Vegetable Slicer TRS Classic - Vegetable Cutter, single speed, 750 W (1HP)

Front

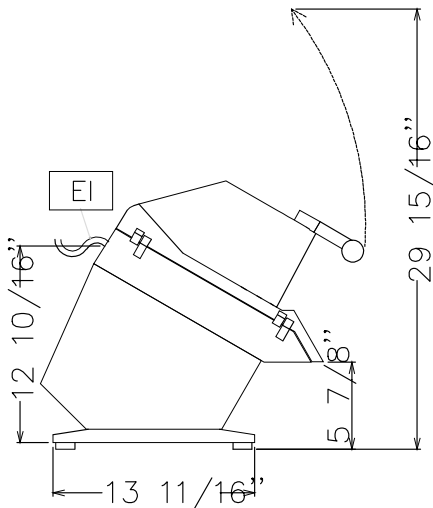


Top



EI = Electrical connection

Side



Electric

Supply voltage:

600398 (TR24DU)

115 V/1N ph/60 Hz

Electrical power, max:

0.75 kW

Total Watts:

0.75 kW

Plug type:

USA NEMA 5-15P

Horsepower:

1 HP

Key Information:

External dimensions, Width:

9 11/16" (246 mm)

External dimensions, Depth:

21 15/16" (557 mm)

External dimensions, Height:

18 3/8" (466 mm)

Shipping weight:

51 lbs (23 kg)

Vegetable Slicer
TRS Classic - Vegetable Cutter, single speed, 750 W (1HP)

The company reserves the right to make modifications to the products without prior notice. All information correct at time of printing.

2017.03.27