



INCLUDES 1 YEAR PARTS + LABOR / 5 YEAR COMPRESSOR WARRANTY
STR-47 2 DOOR REACH-IN REFRIGERATOR

Dimensions

Exterior Dimensions (WxDxH)	54" x 32.25" x 82.5"
Interior Dimensions (WxDxH)	49.5" x 27" x 60.25"
Net Volume (cu. ft.)	46.5 cu. ft.
Gross Weight	536 lbs
Packaging Dimensions (WxDxH)	55" x 34" x 84.5"

Cooling

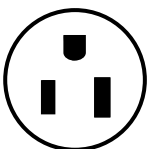
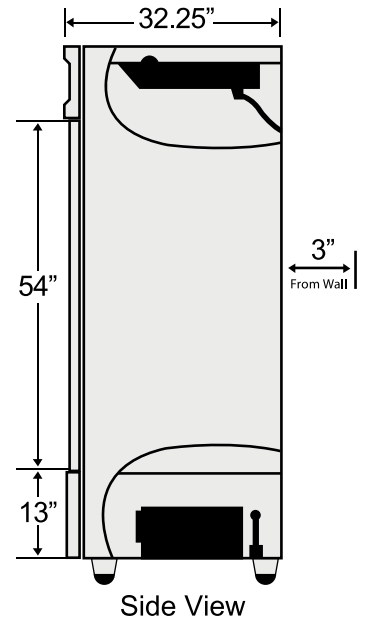
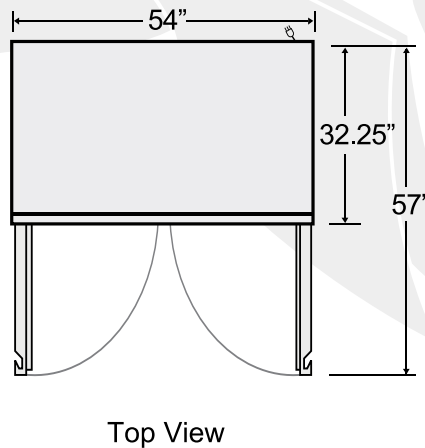
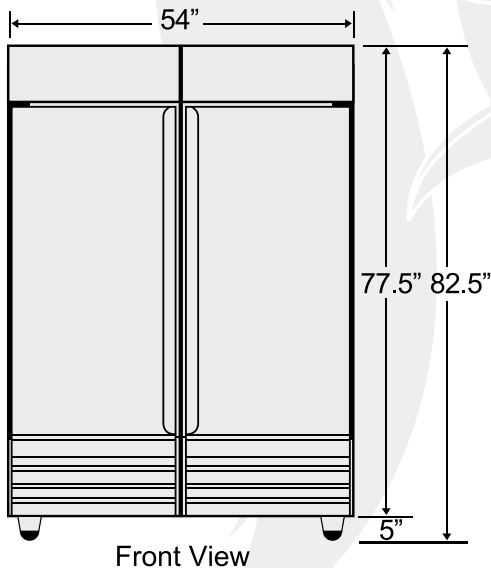
Temperature Range	32° - 40° F
Refrigerant	R134a
Maximum Ambient Temperature Rating	100.4° F
Defrosting	Automatic
Temperature Display	Yes
Temperature Controller	Digital
H/P	1/2

Construction

Exterior Material	430 series stainless steel
Interior Material	304 series stainless steel
Insulation Material	Foamed in place polyurethane
Shelf Material	Plastic coated steel
Shelf Load Capacity	120 lbs

Electrical

Voltage	120
Amps	8.6
Hz	60
Phase	1



NEMA 5-15P

