



SGF-26 1 DOOR REACH-IN GLASS DOOR FREEZER

UNITS MANUFACTURED PRIOR 10-1-18

INCLUDE 1 YEAR PARTS + LABOR / 5 YEAR COMPRESSOR WARRANTY

UNITS MANUFACTURED AFTER 10-1-18

INCLUDE 2 YEAR PARTS + LABOR / 5 YEAR COMPRESSOR WARRANTY

Dimensions

Exterior Dimensions (WxDxH)	27" x 25.5" x 84.5"
Interior Dimensions (WxDxH)	21" x 21" x 49"
Net Volume (cu. ft.)	13 cu. ft.
Gross Weight	379 lbs
Packaging Dimensions (WxDxH)	29" x 28.5" x 86"
Electrical Cord Length	84"

Cooling

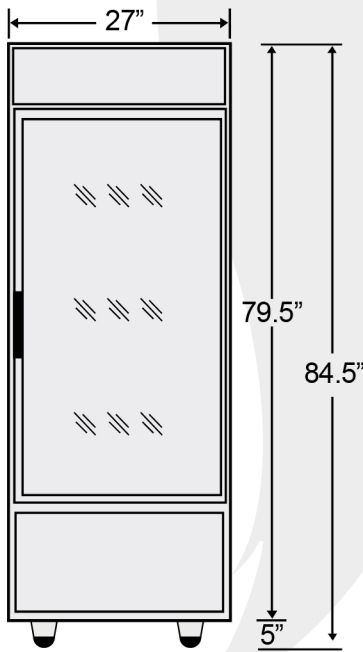
Temperature Range	-10° - 5° F
Refrigerant	R404a
Maximum Ambient Temperature Rating	90° F
Defrosting	Automatic
Temperature Display	Yes
Temperature Controller	Digital
H/P	1/2

Construction

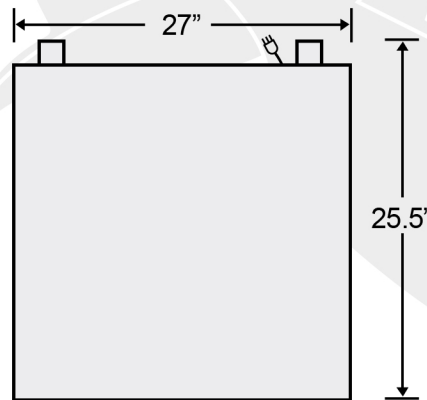
Exterior Material	Painted steel
Door/Lid Material	Glass Door
Insulation Material	Foamed in place polyurethane
Shelf Material	Plastic coated steel
Shelf Load Capacity	90 lbs

Electrical

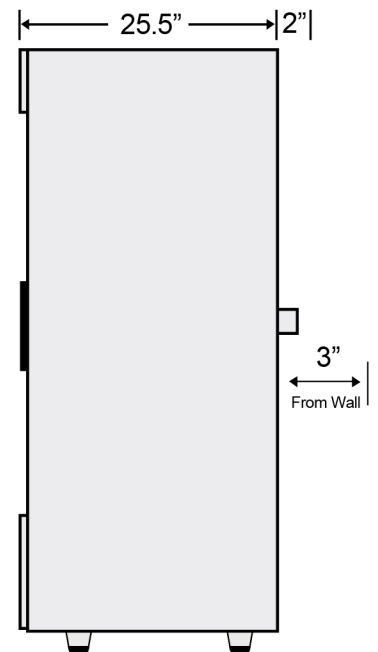
Voltage	120
Amps	7.8
Hz	60



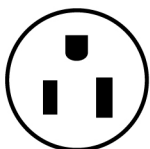
Front View



Top View



Side View



NEMA 5-15P

