



INCLUDES 1 YEAR PARTS + LABOR / 5 YEAR COMPRESSOR WARRANTY
SBD-3 3 KEG BEER DISPENSER

Dimensions

| | |
|------------------------------|----------------------------|
| Exterior Dimensions (WxDxH) | 72.75" x 24.375" x 35.625" |
| Interior Dimensions (WxDxH) | 60.125"x 18.5" x 30.5" |
| Net Volume (cu. ft) | 19.6 cu. ft |
| Gross Weight | 381 lbs |
| Packaging Dimensions (WxDxH) | 75" x 28" x 42" |
| Electrical Cord Length | 94" |

Cooling

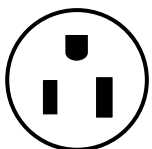
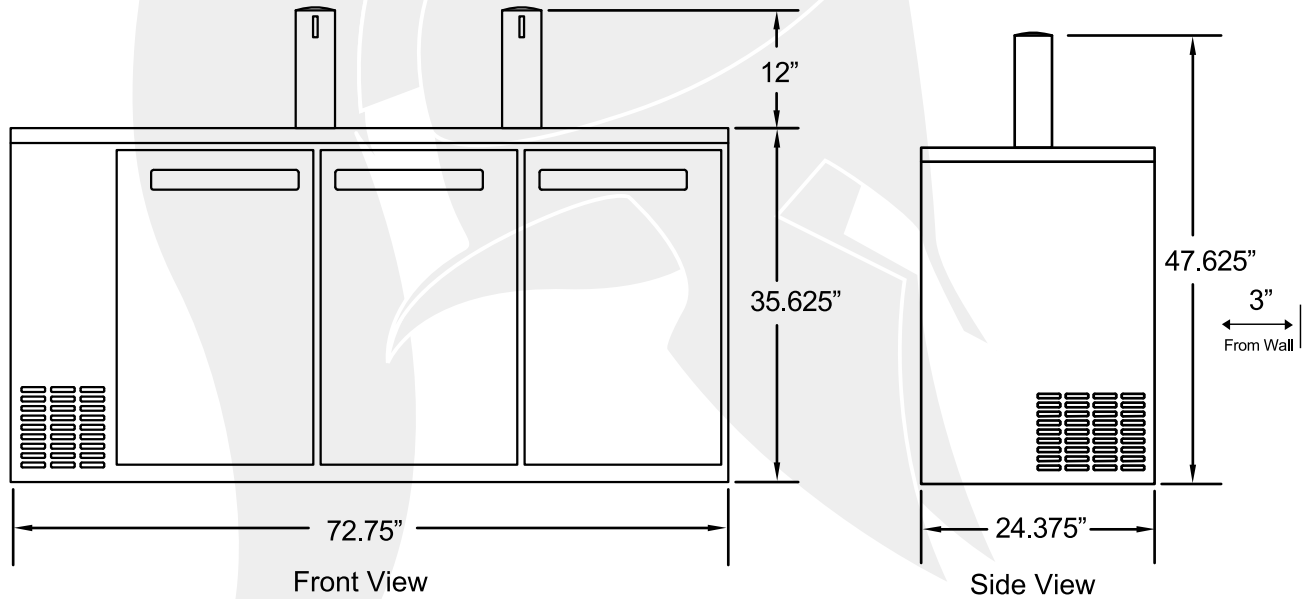
| | |
|------------------------|-------------|
| Temperature Range | 33° - 50° F |
| Refrigerant | R134a |
| Maximum Ambient | 90° F |
| Temperature Rating | |
| Defrosting | Automatic |
| Temperature Display | Yes |
| Temperature Controller | Digital |
| H/P | 1/3 |

Construction

| | |
|---------------------|------------------------------|
| Exterior Material | 430 series stainless steel |
| | Painted steel sides |
| Interior Material | 304 series stainless steel |
| Insulation Material | Foamed in place polyurethane |
| Shelf Material | Plastic coated steel |
| Shelf Load Capacity | 120 lbs |

Electrical

| | |
|---------|-----|
| Voltage | 115 |
| Amps | 7.3 |
| Hz | 60 |
| Phase | 1 |



NEMA 5-15P

