



**INCLUDES 1 YEAR PARTS + LABOR / 5 YEAR COMPRESSOR WARRANTY**  
**SBC-65 65" BOTTLE COOLER**

**Dimensions**

Exterior Dimensions (WxDxH)	64.5" x 26.5" x 34"
Interior Dimensions (WxDxH)	60.5" x 20" x 25.5"
Net Volume (cu. ft.)	18 cu. ft.
Gross Weight	254 lbs
Packaging Dimensions (WxDxH)	69.5" x 32.5" x 42.5"
Electrical Cord Length	98.5"
Cases of Beer	24

**Cooling**

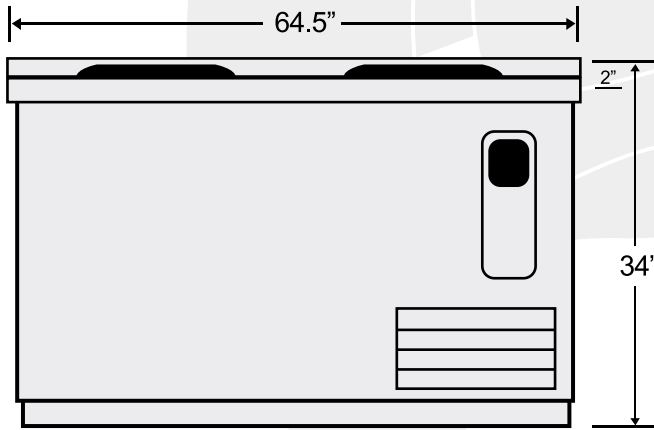
Temperature Range	32° - 40° F
Refrigerant	R134a
Maximum Ambient Temperature Rating	90° F
Defrosting	Automatic
Cooling System	Ventilated
Temperature Display	No
Temperature Controller	Mechanical
H/P	1/3

**Construction**

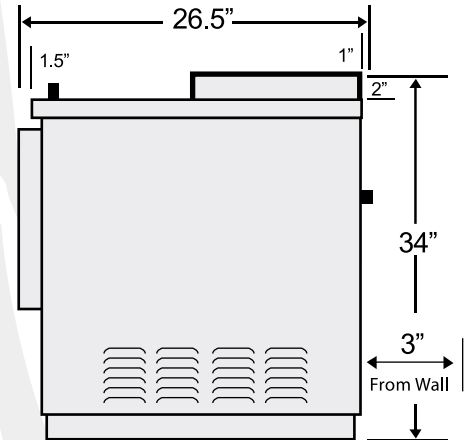
Exterior Material	Painted Steel
Insulation Material	Foamed in place polyurethane
Shelf Material	Plastic coated steel
Shelf Load Capacity	132 lbs

**Electrical**

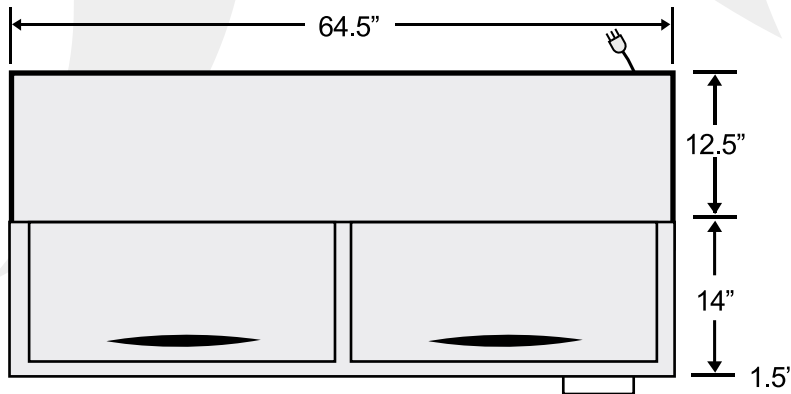
Voltage	115
Amps	8.5
Hz	60



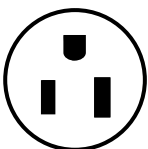
Front View



Side View



Top View



NEMA 5-15P

