



INCLUDES 1 YEAR PARTS + LABOR / 5 YEAR COMPRESSOR WARRANTY
SGM-49RS 2 DOOR REACH-IN GLASS DOOR REFRIGERATOR

Dimensions

Exterior Dimensions (WxDxH)	48" x 25.6" x 84.7"
Interior Dimensions (WxDxH)	43.5" x 21.3" x 49"
Net Volume (cu. ft.)	25 cu. ft.
Gross Weight	526 lbs
Packaging Dimensions (WxDxH)	51" x 28.5" x 86"

Cooling

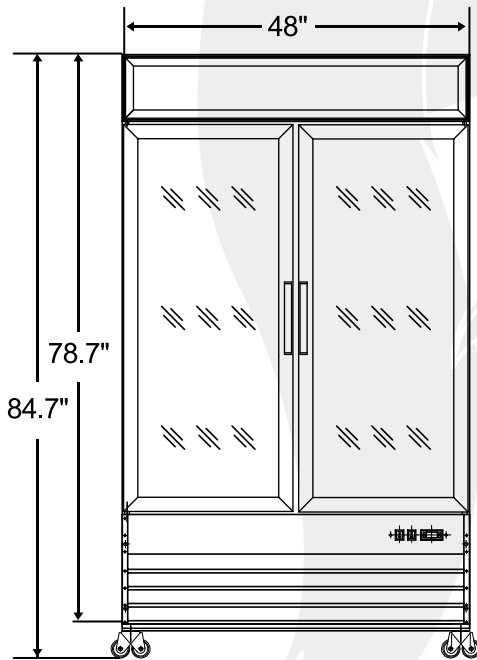
Temperature Range	32° - 40° F
Refrigerant	R134a
Maximum Ambient Temperature Rating	100.4° F
Defrosting	Automatic
Temperature Display	Yes
Temperature Controller	Digital
H/P	1/2

Construction

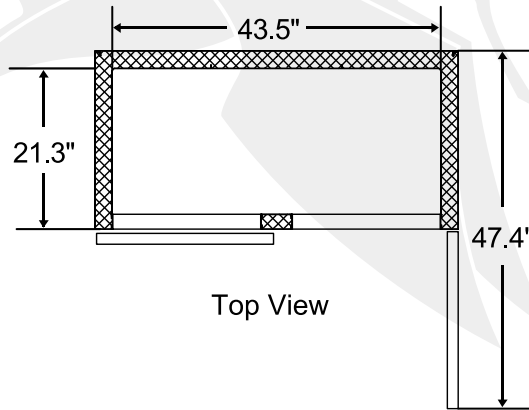
Exterior Material	Painted steel
Door/Lid Material	Glass Door
Insulation Material	Foamed in place polyurethane
Shelf Material	Plastic coated steel
Shelf Load Capacity	90 lbs

Electrical

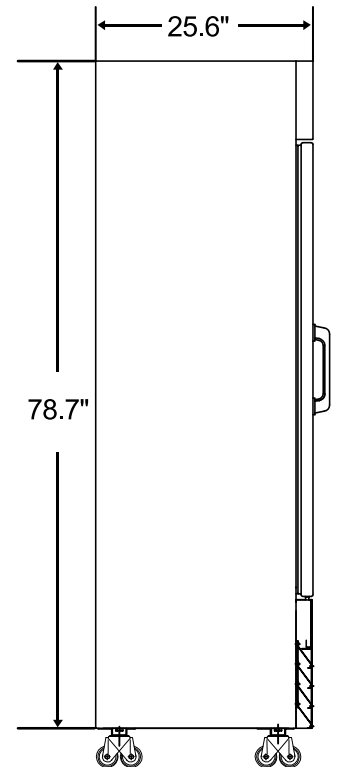
Voltage	120
Amps	11.8
Hz	60



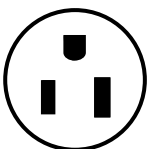
Front View



Top View



Side View



NEMA 5-15P

