



**INCLUDES 1 YEAR PARTS + LABOR / 5 YEAR COMPRESSOR WARRANTY**  
**SD-60 CURVED GLASS DELI CASE**

**Dimensions**

|                              |                      |
|------------------------------|----------------------|
| Exterior Dimensions (WxDxH)  | 59" x 33.5" x 47.25" |
| Interior Dimensions (WxDxH)  | 53.25" x 27" x 22"   |
| Cubic Feet                   | 17 cu.ft.            |
| Shelf Depths:                | Shelf 1: 12"         |
|                              | Shelf 2: 16"         |
|                              | Shelf 3: 21"         |
| Gross Weight                 | 568 lbs              |
| Packaging Dimensions (WxDxH) | 62.5" x 36.25" x 51" |

**Cooling**

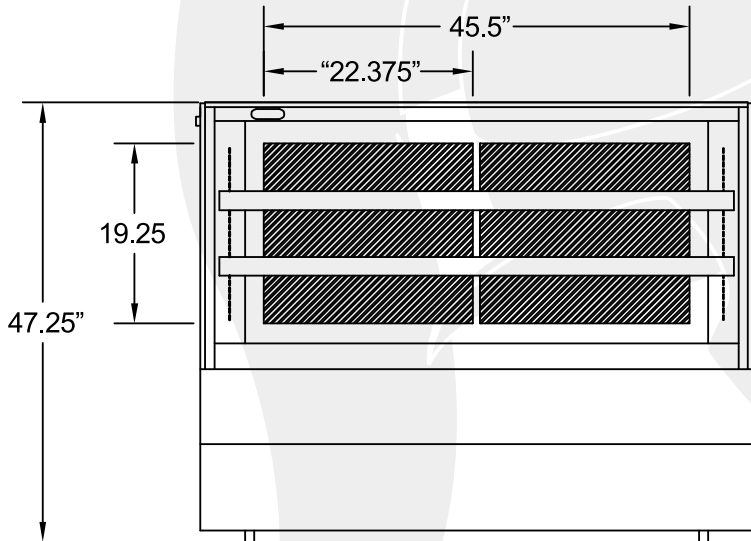
|                        |             |
|------------------------|-------------|
| Temperature Range      | 35° - 47° F |
| Refrigerant            | R134a       |
| Maximum Ambient        | 100.4° F    |
| Temperature Rating     |             |
| Defrosting             | Automatic   |
| Temperature Display    | Yes         |
| Temperature Controller | Mechanical  |
| H/P                    | 1/2         |

**Construction**

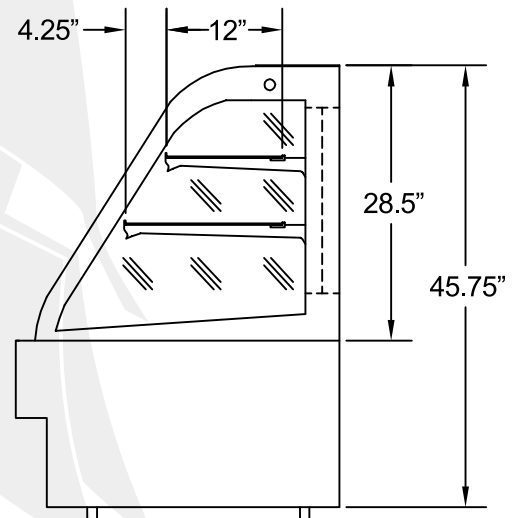
|                     |                              |
|---------------------|------------------------------|
| Exterior Material   | 201 series stainless steel   |
| Interior Material   | Glass                        |
| Insulation Material | Foamed in place polyurethane |
| Shelf Load Capacity | 44 lbs                       |

**Electrical**

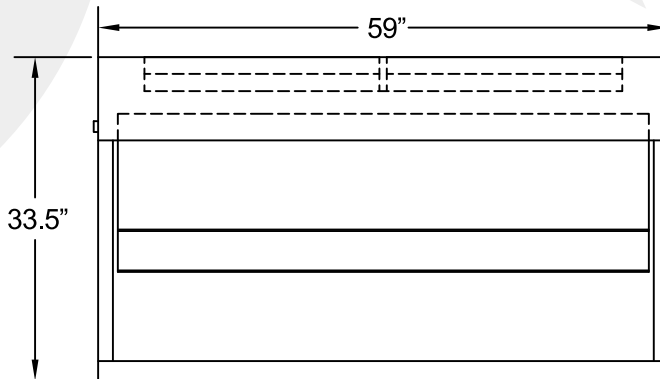
|         |     |
|---------|-----|
| Voltage | 110 |
| Amps    | 9.2 |
| Hz      | 60  |
| Phase   | 1   |



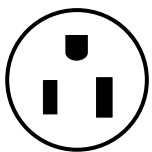
Front View



Side View



Top View



NEMA 5-15P

